

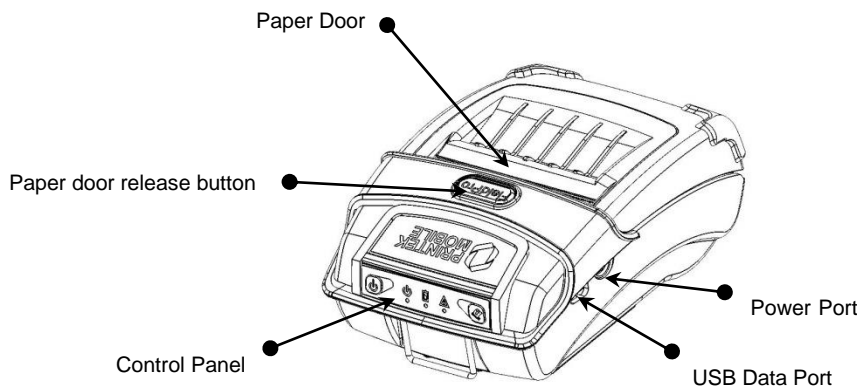
FieldPro 530/530L

Quick Start Guide

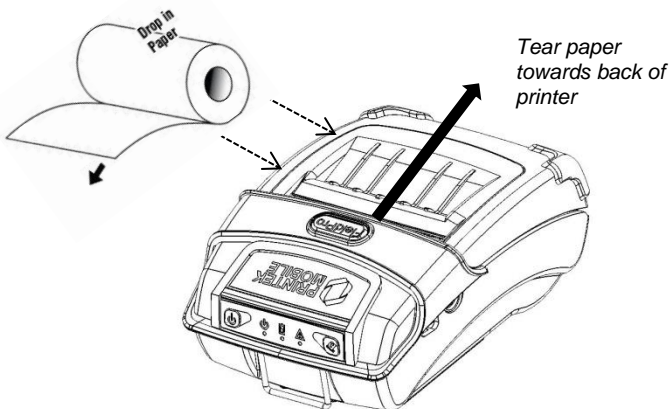
This guide provides information on the daily use of the FieldPro 530/530L printer. For additional information, please refer to the FieldPro 530/530L Operator's Manual.

BEFORE you begin, please visit www.printek.com Support; Downloads; Drivers and Software, to download the FP530 printer driver.

Printer features



Media



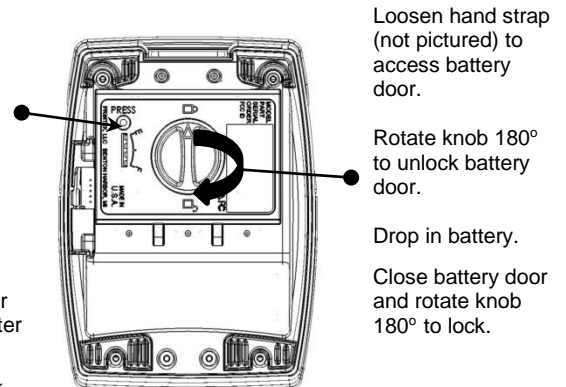
Press Paper door release button to open the paper compartment door. Pull small leader of paper out and close paper door. "Clicks" when properly closed.

Battery

Press button to see battery charge level.
4LED 100% charge
3LED 75%
2LED 50%
1LED 25%

Use Bay Chargers or AC/DC Power Adapter to charge.

Please contact your Printek sales representative for price and availability.








Drivers, User Manuals, and SW Utilities available @ www.printek.com

FieldPro FP530/530L Quick Start Guide

Control Panel indicators



Power & Status (Green/Red) 	Battery (Yellow) 	Alert (Red) 	Indication
On	X	On	Booting up
On	X	Off	Ready
On	X	Flashing	Paper Error/Lid Open
Flashing	X	Off	Job is arriving
Flashing	X	Off	Job is printing
Flashing	X	Flashing	IP over USB active
X	Solid	X	Charging Battery
	Flashing		Battery Low

	Function:	How to:
Power Button 	Power up Power down Toggle IP over USB on/off	Press & Release Press & Hold Press Twice
Paper feed button 	Advance paper Print self-test	Press once Press twice

Self-Test / Configuration print out



To print the configuration report and self-test: With Power on, press the paper feed button twice quickly. To access the configuration menu, refer to Operator's Manual.

USB Access to Printer Web Pages

1. Connect USB cable from printer to host.
2. With printer turned on, set the printer into configuration mode by double-clicking the POWER button. Both the Power LED and Fault LED will flash together.
3. Open browser on your host and type 169.254.200.1 into the address bar of the browser (**Note:** Firefox or Chrome will work best) and hit Enter.
4. A login box should appear.

FP530 Configuration Interface

Password:

www.printek.com

5. Type "0000" and hit Enter- you should now be at the home page for FP530 Configuration.
6. To return the printer to normal operating mode, double-click the POWER button. The Power LED will be returned to a solid light.



Once the printer is connected via USB and in *IP over USB* mode it is temporarily not possible to access the Internet.



Drivers, User Manuals, and SW Utilities available @ www.printek.com