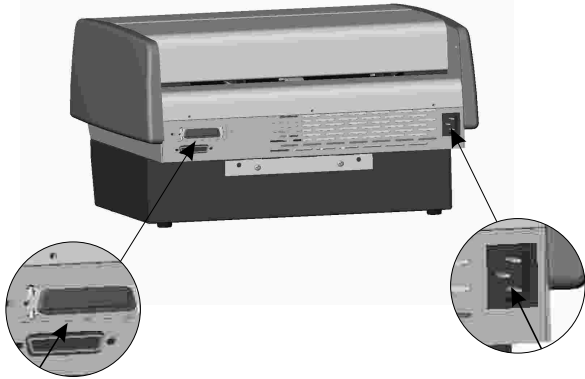


PrintMaster 852si Quick Setup Instructions

1 Connect Power and Cable

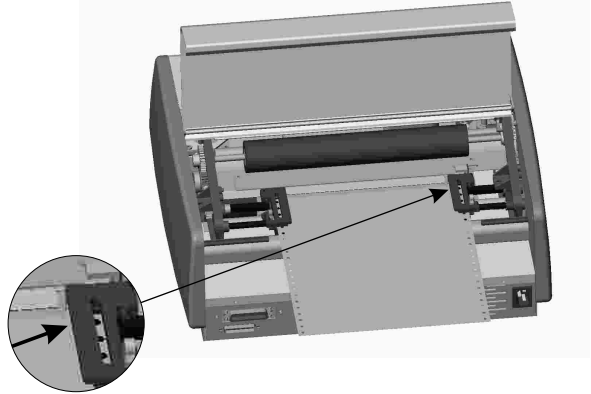


Connect the printer cable from the host computer to the printer port on the right side of the rear panel.

Connect the power cable to the socket on the left side of the rear panel and to a power source/outlet.

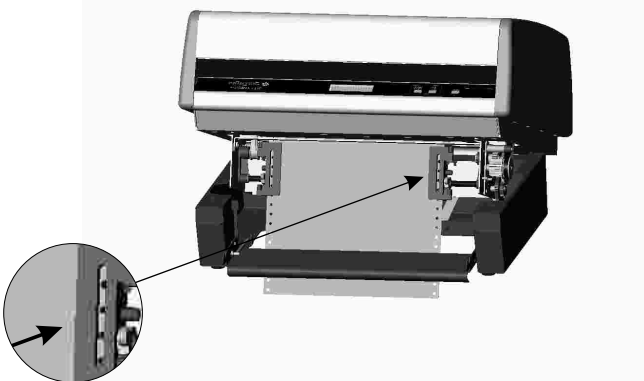
***NOTE: Left and right side of the printer are referenced with operator facing the front of the printer.**

2 Load Rear Paper Path



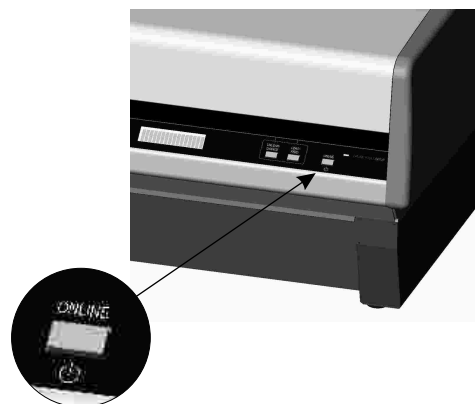
Load paper on the 3 pins of the left and right tractors. Adjust the right tractor for paper width by releasing the green lever and sliding the tractor either to the left or right. **NOTE: The left tractor is not adjustable. Do not attempt to move it.** When done, lock the green lever back down.

3 Load Bottom Paper Path



Loading paper in the bottom tractor is similar to the rear tractor. Just load paper on the 3 pins of the left and right tractors. Adjust the right tractor for paper width by releasing the green lever and sliding the tractor either to the left or right. **NOTE: The left tractor is not adjustable. Do not attempt to move it.** When done, lock the green lever back down.

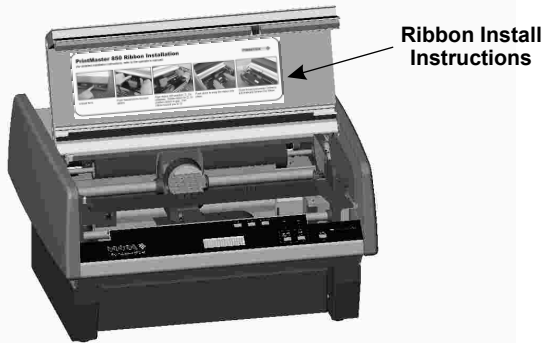
4 Turn Printer On



Turn the printer on by pressing the **ONLINE** button located on the front panel of the printer.

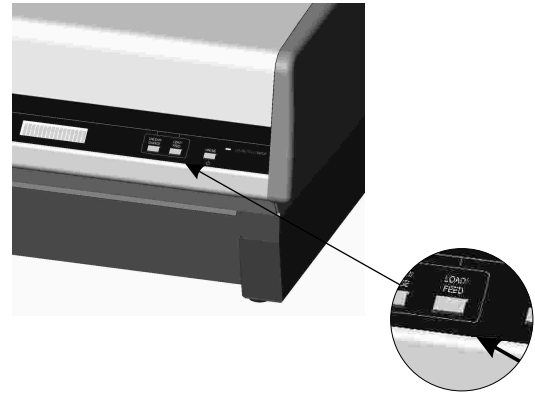
PrintMaster 852si Quick Setup Instructions

5 Load Ribbon



Load the ribbon cartridge by following the instructions located on the inside of the front lid. **NOTE: Do not tighten the ribbon after installation. If the printer starts printing very light or will not print at all upon start up, make sure the ribbon cartridge is properly snapped in place on the left side.**

6 Selecting The Form



With the printer "off line", select the form you wish to print by pressing the *UNLOAD/CHANGE* button until the form name appears on the display. Press the *LOAD/FEED* button to load the form.

7 Put Printer Online



Put the printer back "on line" by pressing the *ONLINE* button. (The green light should come on).

8 Send Job To Printer



Send your print job to the printer...

Note: *If you plan to do continuous feed print jobs with any of the PrintMaster 850 Series printers, we recommend that you purchase the optional Paper Guide (part# 91187)*



1517 Townline Road
Benton Harbor, MI 49022
Ph. (800) 368-4636 Fax: (269) 925-8539
Web: www.printek.com E-mail: info@printek.com