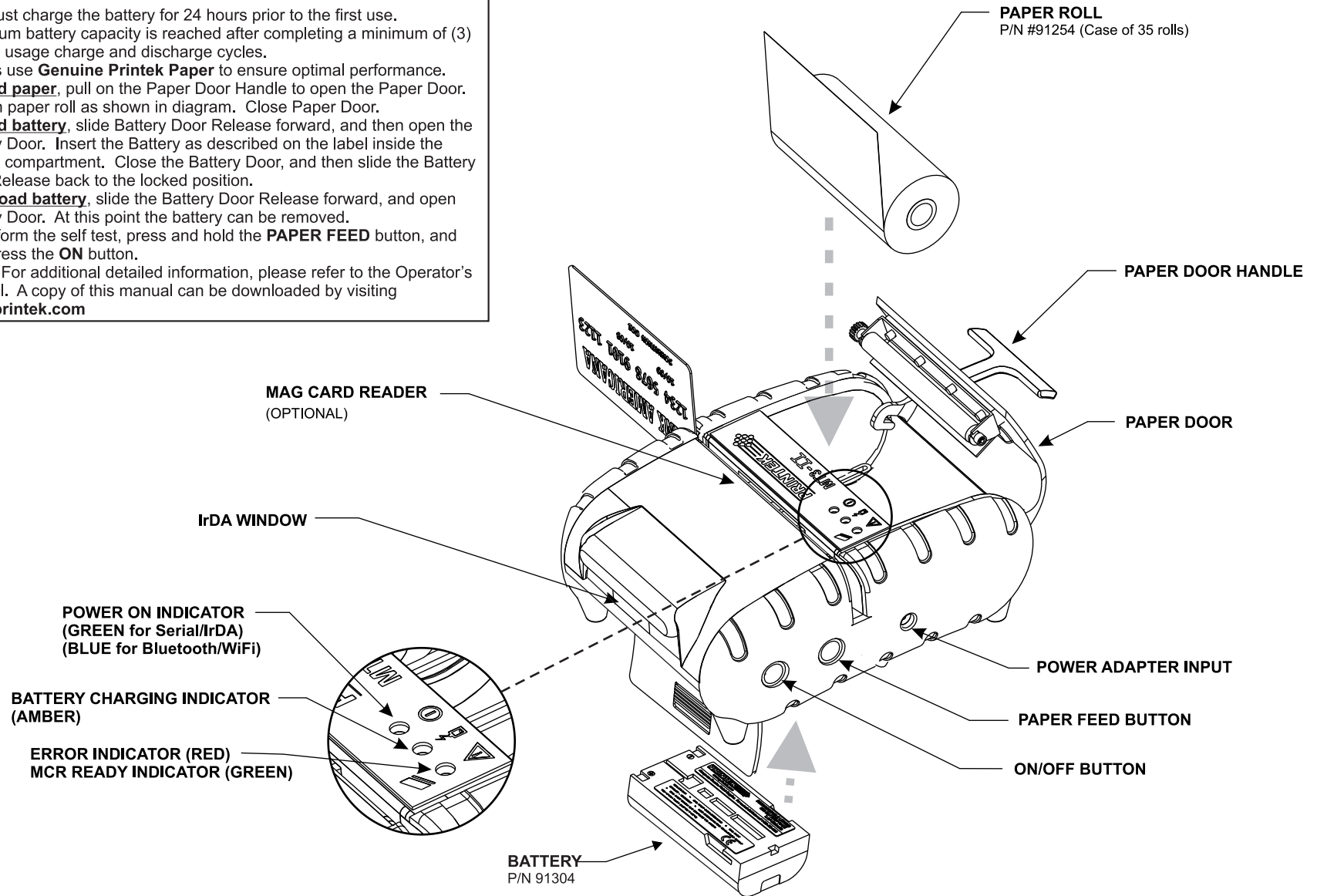


Printek Mt3-II Series Quick Setup Instructions

Important:

1. You must charge the battery for 24 hours prior to the first use.
2. Maximum battery capacity is reached after completing a minimum of (3) normal usage charge and discharge cycles.
3. Always use **Genuine Printek Paper** to ensure optimal performance.
4. **To load paper**, pull on the Paper Door Handle to open the Paper Door. Drop in paper roll as shown in diagram. Close Paper Door.
5. **To load battery**, slide Battery Door Release forward, and then open the Battery Door. Insert the Battery as described on the label inside the battery compartment. Close the Battery Door, and then slide the Battery Door Release back to the locked position.
6. **To unload battery**, slide the Battery Door Release forward, and open the Battery Door. At this point the battery can be removed.
7. To perform the self test, press and hold the **PAPER FEED** button, and then press the **ON** button.
8. **Note:** For additional detailed information, please refer to the Operator's Manual. A copy of this manual can be downloaded by visiting www.printek.com



Printek Mt3-II Series Quick Setup Instructions

cont.

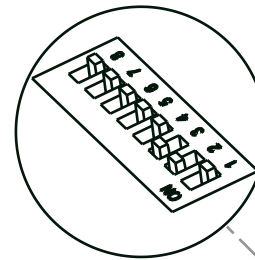
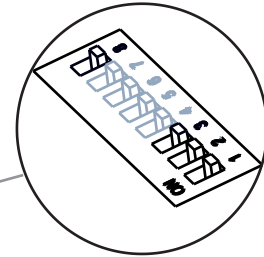
Switch Settings

Switch Position(s)	Function	
SW1	IrDA Interface	
OFF	Disabled	
ON	Enabled	
SW2	RS-232C Interface	
OFF	Enabled	
ON	Disabled	
SW3	Bluetooth/Wi-Fi Interface	
OFF	Disabled	
ON	Enabled	
SW4	SW5	Baud Rate
OFF	OFF	38,400
OFF	ON	19,200
ON	OFF	9,600
ON	ON	2,400
SW6	SW7	Parity
OFF	X	No Parity
ON	OFF	Even Parity
ON	ON	Odd Parity
SW8	Reserved	

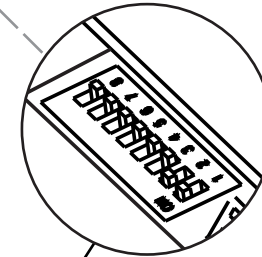
Default Wi-Fi Configuration:

IP Address: 192.168.150.150
 Subnet Mask: 255.255.255.0
 Gateway Address: 0.0.0.0
 DHCP: Disabled
 Wi-Fi Type: Ad-Hoc
 Add-Hoc Channel: 3
 WEP Level: 0 (Disabled)
 SSID: Printek
 Print Port: 8023

The configuration settings below are for Bluetooth and WiFi.

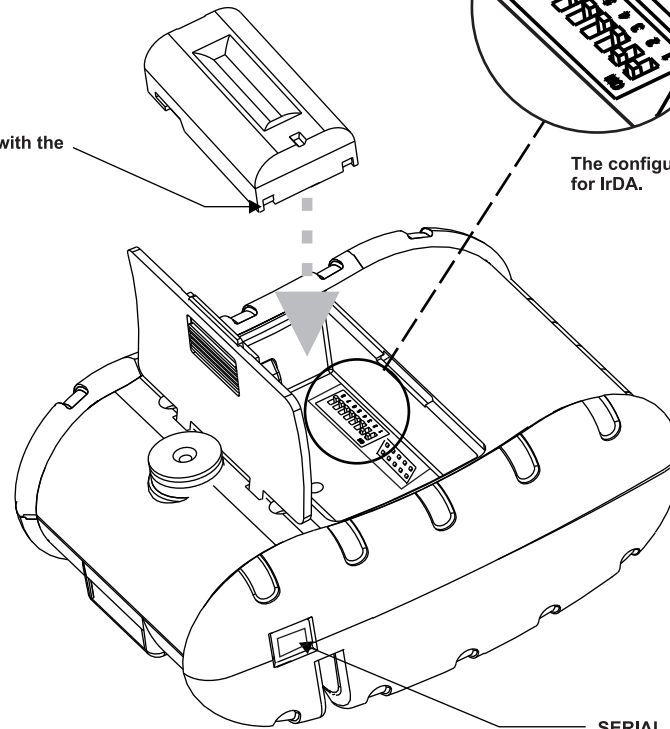


The configuration settings above are for Serial. SW4, SW5, SW6, SW7 must be set to match the host settings.



The configuration settings above are for IrDA.

Align the battery terminals with the printer terminals as shown



Ph: (800) 368-4636
 Fax: (269) 925-8539
 Web: www.printek.com
 E-mail: info@printek.com