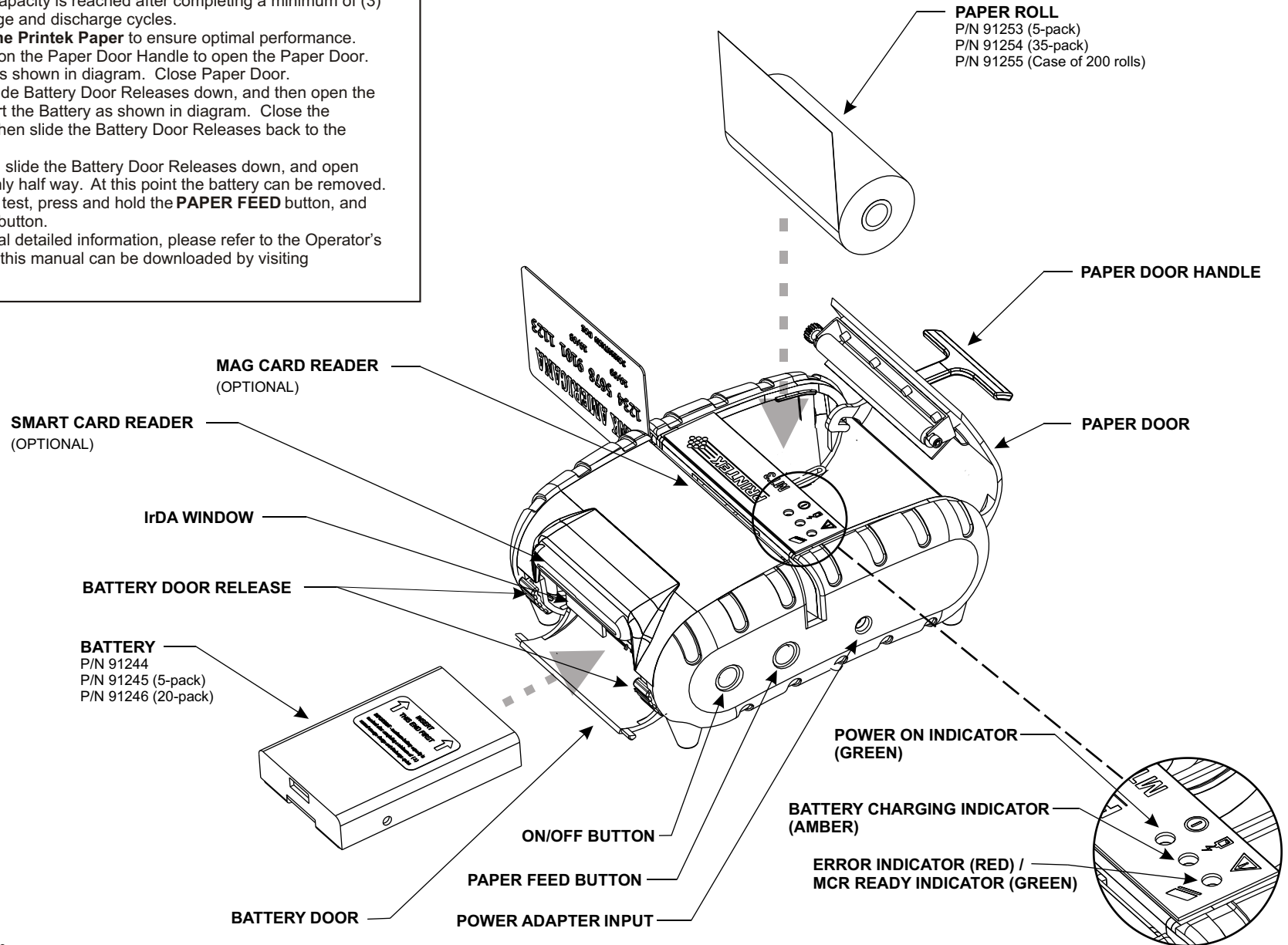


# Printek Mt3/Mt3B Quick Setup Instructions

## Important:

1. You must charge the battery for 24 hours prior to the first use.
2. Maximum battery capacity is reached after completing a minimum of (3) normal usage charge and discharge cycles.
3. Always use **Genuine Printek Paper** to ensure optimal performance.
4. To load paper, pull on the Paper Door Handle to open the Paper Door. Drop in paper roll as shown in diagram. Close Paper Door.
5. **To load battery**, slide Battery Door Releases down, and then open the Battery Door. Insert the Battery as shown in diagram. Close the Battery Door, and then slide the Battery Door Releases back to the locked position.
6. **To unload battery**, slide the Battery Door Releases down, and open the Battery Door only half way. At this point the battery can be removed.
7. To perform the self test, press and hold the **PAPER FEED** button, and then press the **ON** button.
8. **Note:** For additional detailed information, please refer to the Operator's Manual. A copy of this manual can be downloaded by visiting [www.printek.com](http://www.printek.com)



# Printek Mt3/Mt3B Quick Setup Instructions

cont.

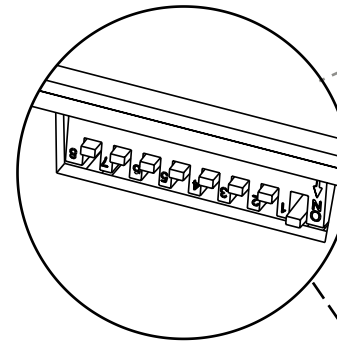
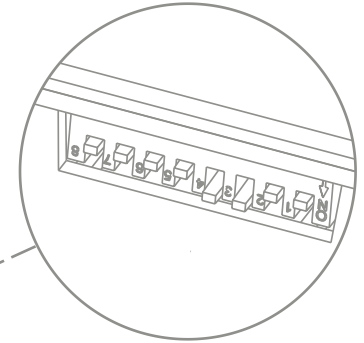
## Dip Switch Settings

Dip Switch	Function	Switch #	Switch #
1	<b>Communication Interface</b>	<b>SW1</b>	
	RS232	Off	
	IrDA	On	
2 & 3	<b>Baud Rate</b>	<b>SW2</b>	<b>SW3</b>
	38,400	Off	Off
	19,200	Off	On
	9,600	On	Off
	2,400	On	On
4 & 5	<b>Parity bit</b>	<b>SW4</b>	<b>SW5</b>
	No Parity	Off	Off
	Odd Parity	On	Off
	Even Parity	On	On
6	<b>Hardware Reset</b>	<b>SW6</b>	
	Enable Reset	On	
	Disable Reset (default)	Off	
7	<b>Not Used</b>	<b>SW7</b>	
8	<b>Printer Power Control</b>	<b>SW8</b>	
	Continuous Power On	On	
	Auto Power Off	Off	

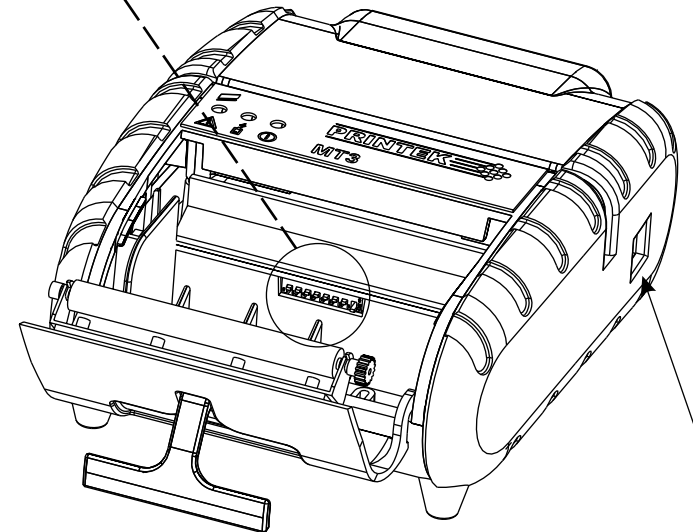
**Please note:**

Make certain the printer power is off before changing the dip switch settings. New settings are only recognized during a power up sequence.

Switch #3, and #4 are shown in the ON position for Bluetooth.<sup>®</sup>  
(Default setting for Mt3B from the factory)



Switch #1 is shown in the ON position for IrDA.  
(Default setting for Mt3 from the factory)



SERIAL INTERFACE



Ph: (800) 368-4636  
 Fax: (269) 925-8539  
 Web: www.printek.com  
 E-mail: info@printek.com