



Mt3 Series

Operator's Manual

©Printek, Inc. 2003
1517 Townline Road
Benton Harbor, MI 49022
(800) 368-4636
www.printek.com

PN 5692 RevA

FCC Part 15 Class B

This equipment has been tested and found to comply with the limits for a Class B digital device, pursuant to Part 15 of the FCC rules. These limits are designed to provide reasonable protection against harmful interference in a residential installation. This equipment generates, uses and can radiate radio frequency energy and, if not installed and used in accordance with the instructions, may cause harmful interference to radio communications. However, there is no guarantee that interference will not occur in a particular installation. If this equipment does cause harmful interference to radio or television reception, which can be determined by turning the equipment off and on, the user is encouraged to try to correct the interference by one or more of the following measures:

Reorient or relocate the receiving antenna.

- ❖ Increase the separation between the equipment and the receiver
- ❖ Connect the equipment into an outlet on a circuit different from that to which the receiver is connected.

Consult the dealer or an experienced radio/TV technician for help.

Acknowledgments:

Printek is a registered trademark of Printek, Inc.

PrinterCE is a registered trademark of Fieldsoftware Products

PrintBoy is a registered trademark of Bachmann Software

Specifications are subject to change without notice.



Read all setup and operating instructions before proceeding with operation.

Do not operate in an enclosure unless properly ventilated. Make sure no ventilation openings are blocked or obstructed, which may result in the printer overheating.

Do not operate near a heat source.



No user-serviceable parts inside. Refer service or repairs to a qualified service professional.

Use of genuine Printek replacement parts is required to warrant proper, safe operation.

Any alteration or modification of this device voids the user warranty and may make the product unsafe to operate.

The printhead and motors get hot during use. Wait until they cool before touching them.

Make certain the printer is disconnected from AC power before removing any covers or performing any required cleaning or maintenance.

Connecting this printer to an ungrounded receptacle can result in electrical shock. Never place the printer near inflammable or explosive substances. Do not operate near liquid or spill liquid into the printer at any time.



Lesen Sie vor der Inbetriebnahme die Aufbau- und Bedienungsanleitung.

Betreiben Sie den Drucker nicht in einem kleinen, geschlossenen Raum, es sei denn dieser wird ordnungsgemäß belüftet. Achten Sie darauf, dass die Lüftungen nicht blockiert oder versperrt sind, denn dies kann zum Überhitzen des Druckers führen.

Nehmen Sie den Drucker nicht in der Nähe einer Wärmequelle in Betrieb.



Enthält keine Teile, die vom Bediener instandgesetzt werden können. Bitte wenden Sie sich bei Instandsetzung oder Reparatur an qualifiziertes Kundendienstpersonal.

Die Verwendung von echten Printek Ersatzteilen ist notwendig, um ordnungsgemäßen, sicheren Betrieb zu gewährleisten.

Änderungen oder Modifikationen dieses Geräts machen die Garantie ungültig und können den sicheren Betrieb des Produkts gefährden.

Während des Druckens werden Druckerkopf und Motoren heiß. Warten Sie, bis sich die Teile abgekühlt haben, bevor Sie sie berühren.

Vergewissern Sie sich, dass der Drucker nicht mehr an die Stromquelle angeschlossen ist, bevor Sie Abdeckungen abnehmen oder das Gerät reinigen bzw. warten.

Schließen Sie diesen Drucker nicht an eine ungeerdete Steckdose an; dies kann zum Elektroschock führen.

Setzen Sie den Drucker niemals in die Nähe von feuer- oder explosionsgefährlichen Stoffen. Betreiben Sie den Drucker nicht in der Nähe von Flüssigkeiten und lassen Sie keine Flüssigkeiten in den Drucker gelangen.

TABLE OF CONTENTS

INTRODUCTION.....	1
Models and Options	1
Manual Contents	2
GETTING STARTED.....	3
Printer Features	3
Battery and Safety Information	4
Installing the Battery Cartridge	5
Charging the Battery	6
Recycling your Batteries	6
Attaching Belt Loop System	6
OPERATION.....	7
Media Loading	7
Tearing Off Print Job	8
Initial Power Up And Self-Test	9
Reading the LED Status	10
Using the Options	11
Using the Magnetic Card Reader (MCR).....	11
CONFIGURATION AND DATA CONNECTIVITY.....	13
Dip Switch Location.....	14
Dip Switch Selection.....	14
Dip Switch Setting.....	15
Serial RS232C Connections	16
Bluetooth Wireless Data Communication	17
Programming Information	18
ASCII Control Characters.....	18
Printer Font Commands – Courier Character Set.....	19
Printer Font Commands.....	19
Printer Graphic Commands.....	19
Magnetic Card Reader Control Commands.....	19
Graphic Logo And Bar Code Commands.....	20
Printer Supervisory and Control Commands.....	20
Resident Character Sets.....	21
PRINTER MAINTENANCE AND TROUBLESHOOTING.....	23
Cleaning	23
Charging The Printer Battery	24
Verifying Battery Charge State	24
Troubleshooting	26
SPECIFICATIONS.....	28
Printer Specifications	28

Media Specifications	29
Printer Supplies/Accessories	29
Warranty	31
Warranty Service.....	31

INTRODUCTION

Thank you for purchasing a **Printek Mt3 Series mobile printer**. The Mt3 series has been designed to provide you years of service handling your most demanding printing requirements in the mobile arena. If you have any questions, or would like more information on the various supplies and accessories that are available for the Mt3 Series, please visit us on the internet at www.printek.com, or call our Sales Department at (800) 368-4636.

Models and Options

The Mt3 is a mobile thermal printer capable of printing on roll media up to 3” in width.

Mt3B includes Bluetooth Wireless connectivity for ultra-convenient data communication – no need for cables or line-of-sight orientation.

Either model can be purchased in many different configurations with options which enhance performance and make it ideally suited for specific applications:

- ❖ *Magnetic Card Reader* for POS credit card data capture, line busting and other customer-convenient applications.
- ❖ *Smart Card Reader* for next-generation data capture applications.

In addition, Printek provides many useful accessories such as weather-proof cases, shoulder straps, multi-bay battery chargers, and in-vehicle power adapters to cover all the needs of your user environment. Visit our website for more information.

Manual Contents

GETTING STARTED provides information on the printer features and instructions for installing and charging the batteries.

OPERATION describes media loading, initial power up and self test, the proper tear action, and how to choose the correct media for your application.

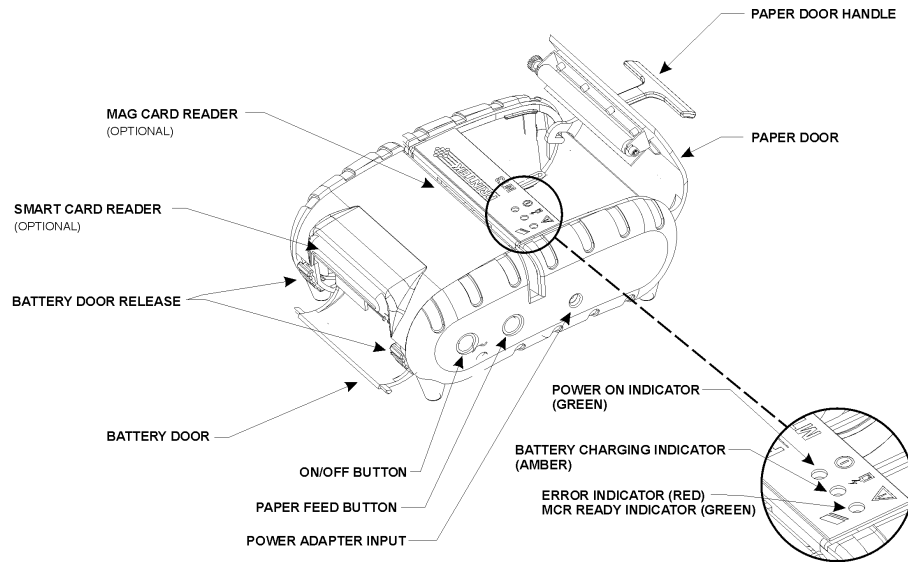
CONFIGURATION AND DATA CONNECTIVITY provides detailed information on how to setup the printer to work with your host and your communication method.

PRINTER MAINTENANCE AND TROUBLESHOOTING gives tips about cleaning, battery charging, and what to do if your printer is not performing as you expect.

SPECIFICATIONS list the operating ranges and ratings of the printer.

GETTING STARTED

Printer Features



The printer comes with a battery cartridge, a belt loop system and a roll of paper supply (already loaded in the printer).

Battery and Safety Information

- ❖ A 6.0 volt 1600mAH NiMH battery cartridge powers the printer.

Note: *Battery capacity is always improving so there is a possibility that the capacity may be higher than this. Please check with Printek.*

- ❖ Charging time in the printer is approximately 90 minutes.
- ❖ Take the battery out of the printer when storing the printer for long periods of time.
- ❖ The battery storage temperature is 40 degrees F to 104 degrees F (4C to 40C). Do not store a fully charged battery at temperatures greater than 104 degrees F (40C) for long periods of time – the battery may permanently lose charge capacity.
- ❖ Be sure to use a fully charged battery before long or battery intensive printing sessions. Certain operations (for example, printing receipts with a lot of bar codes and graphics) drain the battery more quickly than others. **Disposal information** – do not throw in trash. Dispose according to your local regulations.

Caution: *Do not disassemble, short circuit, heat above 80C, or incinerate. The battery may explode.*

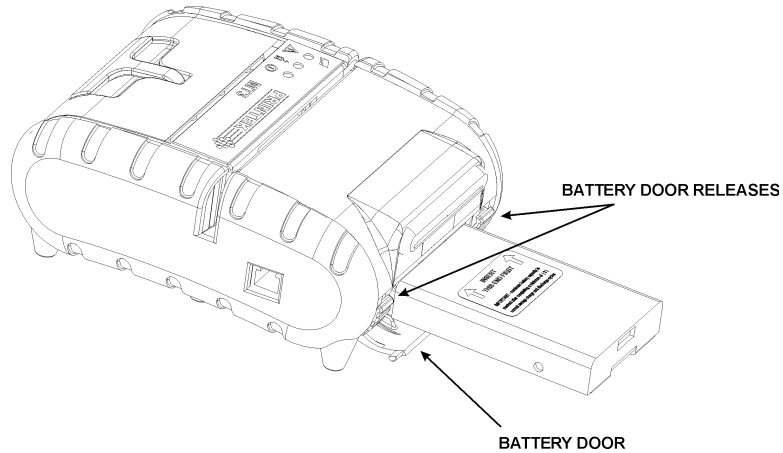
- ❖ The recommended room temperature for charging is between 68 degrees F (20C) to 77 degrees F (25C).

Installing the Battery Cartridge

One battery cartridge is included with the printer. Similar to a cordless phone battery, the printer's battery must be charged before using it.

Refer to the following picture to install the battery pack in the printer.

1. Unlock the battery door by sliding down the battery door releases and open the battery door.



2. Insert the battery as shown in diagram. The end with three contact terminals is inserted first.
3. Close the battery door and slide the Battery Door Releases back to the locked position.
4. To remove the battery cartridge, open the battery door ***about halfway***; at this point the battery can be removed.

Charging the Battery

Insert the AC adaptor plug into the printer. The Yellow/Amber charging LED will illuminate indicating that the battery is being charged.

After about 90 minutes the LED will go off and the battery will be fast charged.

Note: *You must charge the battery for 24 hours prior to the first use. Maximum battery capacity is reached after completing a minimum of (3) normal usage charge and discharge cycles.*

Recycling your Batteries

The Rechargeable Battery Recycling Corporation (RBRC) is a non-profit organization created to promote recycling of rechargeable batteries. For more information about how to recycle batteries in your area, visit www.rbrc.org.



Attaching Belt Loop System

To attach the belt loop system, insert the round knob located at the bottom of the printer into the latch mechanism. When installed completely, you will hear it click into place. To remove, squeeze the opposing 'ears' and slide clear of the knob.

OPERATION

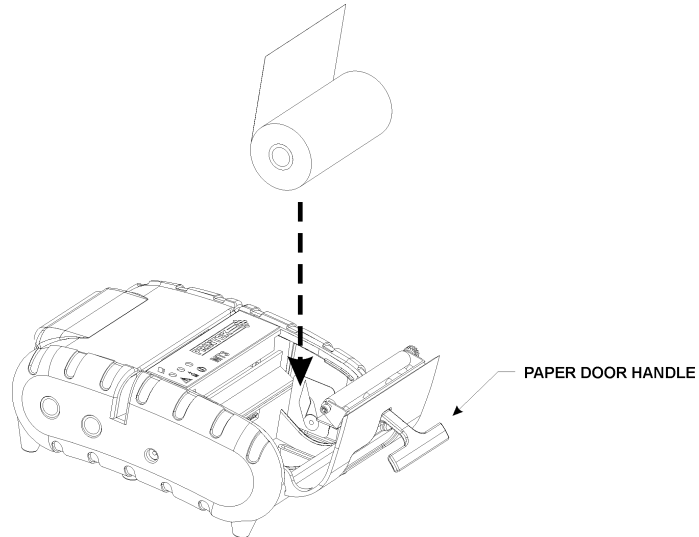
Media Loading

The printer can print text, bar codes and some limited graphics on thermal receipt paper. See “Media Specifications” for the width, thickness requirements and approved vendors.

Follow these steps to load printer paper:

1. Open the paper supply cover by placing your fingers under the “T” pull lever and pulling up firmly on the supply cover until the lever stops moving.

Note: *Do not pull too hard. Use enough force to allow the cover to unlock and lift freely*



2. Place the paper supply roll into the paper supply well. Make sure the paper supply unwinds from the bottom as shown.
3. Position the paper supply between the print head guides.

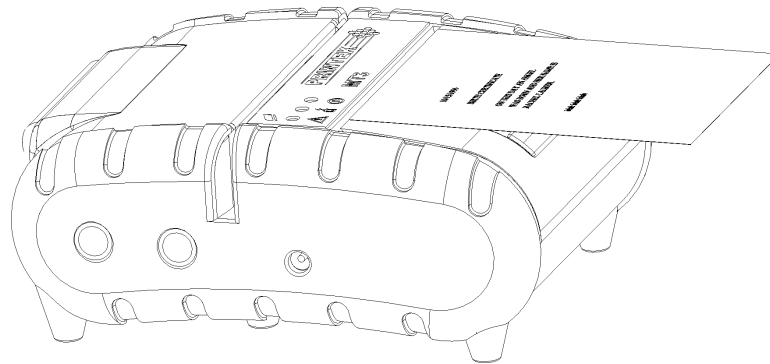
4. Make sure some supply (2-3 inches) extends beyond the top of the paper supply well.
5. Close the paper supply cover.

Tearing Off Print Job

The printer's paper supply door acts as a tear bar. Pull one edge of the paper against the tear bar as shown below, then tear down and across against the tear bar to remove receipts.

Caution: *The tear bar may have sharp edges.*

Using the tear bar is the **only** way to tear the paper. Pulling up and pulling sideways without using the tear bar may cause the paper door to open and the paper roll to fall out.



Initial Power Up And Self-Test

Once the Battery is charged and the paper is loaded perform an initial power up self-test.

Note: The self-test feature only functions if printer is in the manual power off mode (factory default). See “Dipswitch settings”

1. To start the self-test, press and hold the **FEED** button, then press **ON**. The printer will start printing the self-test messages.
2. Press the **OFF** or **FEED** to stop or cancel the self-test print.

The first few lines of self-test show the printer firmware version, the current printer settings and a list of any optional or special features installed. Also sample demo lines are printed using the internal resident printer fonts.



Reading the LED Status

LED Indicator	State	Status
Power On	Green is 'ON'	Printer is on and ready to receive data.
		Pressing the On/Off button will turn the printer on and illuminate the Green LED. After approximately 20 seconds, if no instructions are sent, the printer will automatically turn off to conserve battery life.
		In IrDA mode, the printer will stay on all the time. Pressing the On/Off button again will turn the printer off.
Battery Charging	Yellow is 'ON'	The battery charger is charging the battery at a fast rate. If the battery is below 5.0V, the battery is being "trickle" charged until the battery voltage reaches 5.0V, and then the fast charge rate is started. The LED will turn Off when the battery is fully charged.
Error / MCR Ready	Dual State	Green → Indicates that MCR is ready to accept data.
		Red → Indicates a fault condition or a printer error. The printer is not ready to accept data.
		Refer to the troubleshooting guide to determine error or fault condition.

Using the Options

Using the Magnetic Card Reader (MCR)

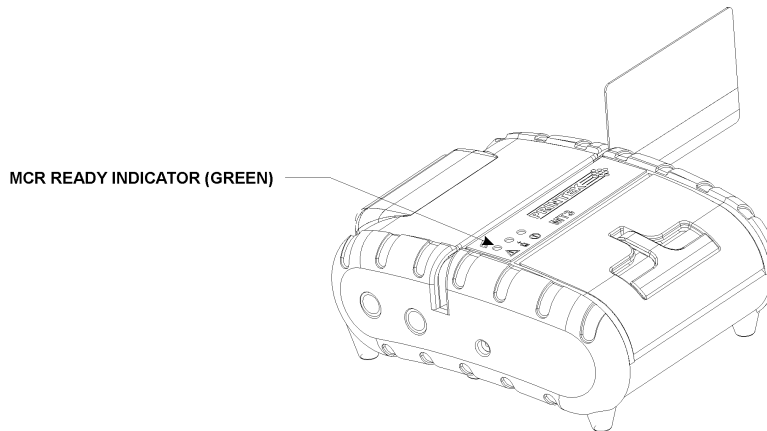
The Magnetic Card Reader is a factory-installed option. This option requires special application software to read and process cards with a magnetic stripe, such as credit cards or driver's license.

Refer to the following figure if your printer is equipped with the optional magnetic stripe reader and the application software asks for the card to be read. Quickly swipe the card through the reader either left to right or right to left. The magnetic stripe must be facing toward the paper supply door while it is passed through the reader.

The DUAL Green/Red LED on the printer indicates the following:

MCR LED indicator	State	Status
Green	ON	Ready/waiting for card to be swiped.
Red	ON	Error reading card's data.
OFF	OFF	Good swipe. Card's data read, or not ready for card to be swiped.

Using the Magnetic Stripe Reader / Magnetic Card LED Indicator



CONFIGURATION AND DATA CONNECTIVITY

The standard Mt3 Series printer supports both Serial RS232 and IrDA compatible infrared communication interfaces.

Serial and IrDA communication settings can be changed via DIP switch located in the paper supply area (*see figure on the next page*).

The functions assigned to these switches are shown on the next page.

If the Serial interface is selected, the communication Parameters, Baud rate, Data Bit and Parity must be set.

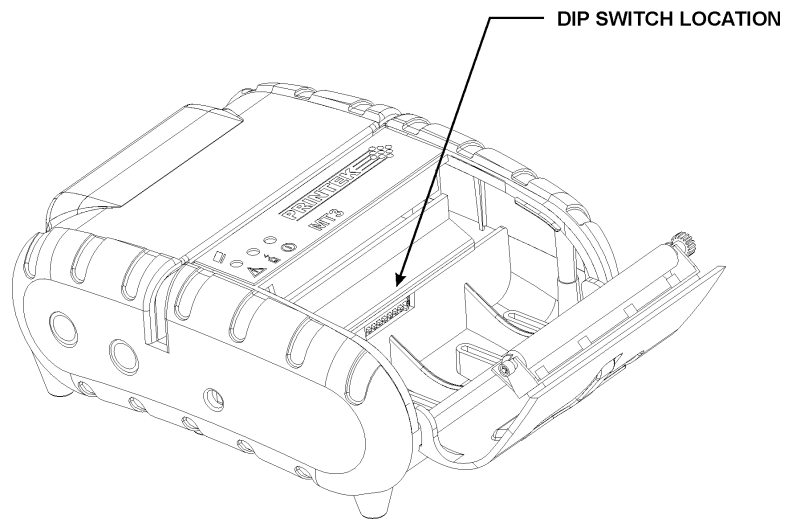
An optional serial cable is available for Serial RS232 communication (part # 91251 for DB9 terminated, part # 91252 for unterminated).

Printer drivers for Windows 95/98/NT/2000 and XP are available from Printek.

PrinterCE print control utility is available from Printek for Windows CE and Pocket PC 2002 devices. Demo software is available from www.fieldsoftware.com and details on use are available from Printek.

Printboy from Bachmann is recommended for Palm devices. Demo software is available from www.bachmannsoftware.com and details on use are available from Printek.

Dip Switch Location



Dip Switch Selection



EXAMPLE: dip switch #1 shown in ON position

Dip Switch Setting

Dip Switch	Function	Switch #	Switch #
1	Communication Interface	SW1	
	RS232	Off	
	IrDA	On	
2 & 3	Baud Rate	SW2	SW3
	38,400	Off	Off
	19,200	Off	On
	9,600	On	Off
	2,400	On	On
4 & 5	Parity bit	SW4	SW5
	No Parity	Off	Off
	Odd Parity	On	Off
	Even Parity	On	On
6	Hardware Reset	SW6	
	Enable Reset	On	
	Disable Reset (default)	Off	
7	Not Used	SW7	
8	Printer Power Control	SW8	
	Continuous Power	On	
	Power Saver	Off	

Note: *In order for changes to the dip switch configuration to take effect, the printer power must be reset.*

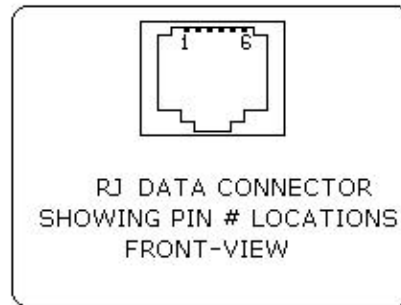
Serial RS232C Connections

The RS232C Interface signals for the Mt3 Series printer are terminated on a 6 PIN RJ type data connector located on the side of the printer.

Six connections are provided from the Serial Interface to the host computer. The Table below lists the Serial Interface signals and pin outs on the RJ connector and the connector pin locations are shown.

A minimum of two connections are required for operation: RXD – pin 3 and Common – pin 1.

The communication Parameters: Baud rate, Data Bit and Parity must be set same as the host device settings. See Dip Switch setting table on the previous page.



RJ DATA CONNECTOR

RJ25 CONNECTOR PIN #	FUNCTIONAL DESCRIPTION	SIGNAL NAME
3	RS232 from Host (INPUT)	RXD
2	RS232 from Printer (OUTPUT)	TXD
6	Request to send from Host (INPUT)	RTS
4	Clear to send from Printer (OUTPUT)	CTS
1, 5	Logic common	COM

Bluetooth Wireless Data Communication

The standard Mt3B printer has the Bluetooth module factory installed option. It requires a host, which also has hardware compatible with the Bluetooth wireless communication standard. It also supports both Serial RS232 and IrDA compatible infrared communication interfaces, with the appropriate DIP switch settings.

The Bluetooth data link functions the same as IrDA with the important exception that no effort is required to physically align the host and printer in any particular fashion. If your printer is configured to use Bluetooth (see “Configuration and Data Connectivity”), simply send the job from the host and tear off the output – no other action is required.

Bluetooth RF communication occurs at 19.2Kb/sec and odd parity which requires dip switch #3 to be set to the ON position for 19.2Kb/sec and dip switch #4 set to the ON position for odd parity. To gain access to the dip switch, open the paper door and remove the paper roll. The dip switch is located at the middle of the paper roll slot. Refer to the pg. 14 for the proper location of the referenced dip switch settings.

Dip switch #3 – ON

Dip switch #4 – ON

The Mt3B printer has been electronically modified to help extend the life of the internal battery cartridge due to the current demands of Bluetooth RF communication. The printer modification is such that the printer can be set to operate in either the MANUAL POWER OFF or CONTINUOUS ON mode of operation.

MANUAL POWER OFF mode:

When demonstrating RF wireless communication, turn the printer on by pressing the ON switch located on the left side of the printer. The printer will remain active waiting for the wireless print command. Pressing the ON switch again will turn the printer OFF. For each wireless demonstration, again turn the printer on by pressing the ON switch. Operation in this fashion will greatly extend the life of the battery cartridge.

Dip switch #3 – ON

Dip switch #4 – ON

EXTENDED CONTINUOUS ON mode;

If it were desired to leave the printer on for extended operation, it would be necessary to switch dip switch #8 to the ON position. Be aware that operating with dip switch #8 in this ON position means that the printer is always on placing the highest current demand from the battery resulting in reduced battery charge life. To offset this situation, it is recommended to use the adapter to

provide additional trickle charging current to the internal battery to maintain the battery in a fully charged state. Placing dip switch #7 in the ON position, along with dip switch #8, allows for this type of extended operation. Dip switch #7 should always be used in conjunction with dip switch #8 when #8 is in either the ON or OFF position.

- Dip switch #3 – ON
- Dip switch #4 – ON
- Dip switch#7 – ON
- Dip switch#8 – ON

Programming Information

This section lists the printer control commands strings. Refer to the Mt3 Series Programmer’s Manual for further details. Further information for Developers is available in the “Developers Kit”.

ASCII Control Characters

Character	Hex/Dec	CONTROL ACTION
EOT	04/04	End Of Text
BS	08/08	Back Space
HT	09/09	Horizontal Tab
LF	0A/10	Line Feed
VT	0B/11	Vertical Tab
FF	0C/12	Form Feed
CR	0D/13	Carriage Return
SO	0E/14	Shift Out
SI	0F/15	Shift In
XON	11/17	Transmitter On.
AUXON	12/18	Printer on.
XOFF	13/19	Printer receiver is off
NORM	14/20	Return to default 42 column mode
AUXOFF	15/21	Printer to Host: printer is off
CANCEL	18/24	Cancel and reset printer BUFFER
ESC	1B/27	Escape
EXTEND	1C/28	Extended print
EXTEND OFF	1D/29	Extended print off/Normal print

Printer Font Commands – Courier Character Set

Font Name	Character size (WxH)	Command String
24 CPI normal	8x21	ESC+'k'+5'
21 CPI normal	9x21	ESC+'k'+4'
19 CPI normal	10x21	ESC+'k'+3'
16 CPI normal	12x21	ESC+'k'+2'
12 CPI normal	16x21	ESC+'k'+1'
13 CPI rotated	14x16	ESC+'k'+0'
MSP Font 10-32 CPI	Dot Matrix Fonts	ESC+'F'+2' through '8'

Printer Font Commands

Command String	Printer Action
ESC - 'F' - 1	Selects International character set
ESC - 'F' - 2	Selects PC Line Draw character set
ESC - 'U' - '1'	Enable emphasized print.
ESC - 'U' - '0'	Disable emphasized print.

Printer Graphic Commands

Printer Command String	Printer Action
ESC - 'a' - n	Select dot line spacing between printed lines.
ESC - 'J' - n	Graphic Line Feed command
ESC - 'P' - '#'	Select Online mode, characters printed as received.
ESC - 'P' - '\$'	Select Buffer mode, characters are printed on (^ D)
ESC - 'V' - n1 - n2	8-bit Graphic command

Magnetic Card Reader Control Commands

Command String	Printer Action
ESC - 'M' - 'nnm' - cr	Select MCR with (nn) auto timeout
ESC - 'C'	Cancel MCR read process

Graphic Logo And Bar Code Commands

Command String	Printer Action
ESC - L - G - n	Prepare printer to load image:
ESC - G - 0x0FF	Loading Logo Complete:
ESC - L - g - n	Print stored logo image:
ESC - 'z' - n1 - n2 - L - [data]	Print Bar Code without visible text
ESC - 'Z' - n1 - n2 - L - [data]	Print Bar Code with visible text
ESC - 'Q' - 'J' - n	Reverse Dot Feed
ESC - 'Q' - 'Q' - n	Set Out of Paper Sensitivity
ESC - 'Q' - 'F' - m	Set Forward Black Mark Seek
ESC - 'Q' - 'B' - m	Reverse Black Mark Seek

Printer Supervisory and Control Commands

Command String	Printer Action
^V	Buffer, power timer & battery status
^B	Buffer status
ESC - 'P' - '^'	Print Battery Voltage
ESC - 'P' - alpa	Time and date print and control
ESC - 'M' - '000' - cr	Disable the power down timer
ESC - 'M' - 'nn0' - cr	Sets power down timer to nn seconds
ESC - 'M' - 'C'	Reset Auto power down to 20 seconds
ESC - 'P' - '('	Firmware version query
ESC - 'P' - ')'	Hardware model query:

Resident Character Sets

Characters 32 through 255

Esc – 6 for International & Esc – 7 for PC Line Draw

	!	"	#	\$	%	&	'	()	*	+	,	-	.	/	0	1	2	3	4	5	6	7	8	9	:	;	<	=	>	?
@	A	B	C	D	E	F	G	H	I	J	K	L	M	N	O	P	Q	R	S	T	U	V	W	X	Y	Z	[\]	^	_
'	a	b	c	d	e	f	g	h	i	j	k	l	m	n	o	p	q	r	s	t	u	v	w	x	y	z	{		}	~	
Ç	ü	é	â	ä	à	ç	ê	ë	ï	î	ï	ä	å	é	æ	ø	ö	õ	ù	û	ÿ	ö	Ü	ø	É	Ø	×	f			
á	í	ó	ú	ñ	ñ	º	¿	↑	↓	½	¼	¡	«	»	§	§	¶	¶	¶	¶	¶	¶	¶	¶	¶	¶	¶	¶	¶	¶	¶
ó	ß	Ô	Ò	õ	õ	µ	ρ	√	¹	Ù	Ú	ƒ	Ÿ	Ÿ	ú	ß	±	θ	∞	Ω	Σ	Π	f	♥	♦	♣	♠	÷	■		

International Character Set

	!	"	#	\$	%	&	'	()	*	+	,	-	.	/	0	1	2	3	4	5	6	7	8	9	:	;	<	=	>	?
@	A	B	C	D	E	F	G	H	I	J	K	L	M	N	O	P	Q	R	S	T	U	V	W	X	Y	Z	[\]	^	_
'	a	b	c	d	e	f	g	h	i	j	k	l	m	n	o	p	q	r	s	t	u	v	w	x	y	z	{		}	~	
Ç	ü	é	â	ä	à	ç	ê	ë	ï	î	ï	ä	å	é	æ	ø	ö	õ	ù	û	ÿ	ö	Ü	ø	É	Ø	×	f			
á	í	ó	ú	ñ	ñ	º	¿	↑	↓	½	¼	¡	«	»	§	§	¶	¶	¶	¶	¶	¶	¶	¶	¶	¶	¶	¶	¶	¶	¶
ó	ß	Ô	Ò	õ	õ	µ	ρ	√	¹	Ù	Ú	ƒ	Ÿ	Ÿ	ú	ß	±	θ	∞	Ω	Σ	Π	f	♥	♦	♣	♠	÷	■		

PC Line Draw Character Set

PRINTER MAINTENANCE AND TROUBLESHOOTING

Cleaning

You may need to clean the print head and platen roller after printing a number of rolls of paper, whenever you load new supplies or when you see voids in the printout.

Caution: *Do not use sharp objects to clean the print head. This may damage the printer and require service.*

1. Open the paper supply door by placing your fingers under the “T” pull-handle and pulling up firmly.
2. Remove the paper supply roll.
3. Moisten a cotton swab with isopropyl alcohol and clean the print head.
4. Clean the platen roller with a dry cloth or small brush. You can also use another cotton swab moistened with isopropyl alcohol. Turn the platen roller with your finger and run the cotton swab or dry cloth across it. Make sure the platen roller is clean all the way around.
5. Moisten another cotton swab with isopropyl alcohol. Rub the swab across the black mark sensor to remove any build-up.
6. Moisten another cotton swab and rub the swab across the tear bar to remove any build-up.

You may experience dust build-up depending on the environment and the quality of the paper supply you use. If this occurs, use a can of compressed air to blow dust and paper debris out of the printer.

Charging The Printer Battery

The printer battery is charged using the wall mount adapter provided. Follow these steps to charge the battery pack:

1. Plug the power adapter into an appropriate wall socket; then plug the power adapter cord into Power Input Connector on the side of the printer.
2. The yellow **CHARGE** light will illuminate, to indicate battery is charging.
3. The Charge LED turns off when battery cartridge is fully charged. It takes 90 minutes to fast charge the battery pack.
4. To insure full charge, printer should not be operated while the battery is charging.

Important Notes On Charging The Battery

- The battery Fast-charge is initiated each time the power adapter is connected to the printer.
- The fast-charge controller checks the battery's voltage and temperature, before the start of the fast recharge process. If the battery voltage or the temperature is outside of the fast-charge limits, the charger defaults to trickle charge at C/10 or 70mA rate.
- Optional **external** battery chargers are available for Mt3 Series printers; a single bay fast rate charger and conditioner; a four bay trickle charger (12 hour cycle); and an in-vehicle 12v or 24v adaptor.

Verifying Battery Charge State

Follow these steps to identify and correct any battery power problem encountered. It is strongly recommended testing all printers before returning to Printek. These will help to identify that the fault is with the printer and not some other part of your system.

To test the AC adaptor use a multi-meter and measure the output. Output should be 10V.

1. Press the <OFF> switch and wait until all LED's are off.
2. Insert the AC adaptor plug into the printer. If the amber LED goes on, the battery is not fully charged but the charge circuit is functioning. *The AC power portion of the circuit appears ok*
3. Press and hold the <FEED> switch, then press and release the <ON> switch and <FEED> switch.
4. The printer will print a "self test" receipt as illustrated. *If the self-test receipt is printed, the DC power is ok*
5. Press <OFF> and wait until all the LED's are off.
6. Plug the AC adaptor into the printer. Press <ON>; the green LED is illuminated and after 20 seconds the LED should go off.

If the amber LED is on, this will continue on through this test indicating that the battery is accepting a charge and that the charge circuit is ok. At the end of a 90 minute charge cycle the LED will go off.

Troubleshooting

Printek Mt3 Troubleshooting Guide

Problem	Possible Cause	Solution
<ul style="list-style-type: none"> ▪ Printer will not turn on 	<ul style="list-style-type: none"> ▪ Discharged battery 	<ul style="list-style-type: none"> ▪ Recharge battery overnight
<ul style="list-style-type: none"> ▪ “Battery Charging” indicator not lighting when AC Adaptor is plugged in. 	<ul style="list-style-type: none"> ▪ No AC power ▪ Bad AC adaptor 	<ul style="list-style-type: none"> ▪ Check AC outlet and Adaptor ▪ Fully charged battery pack
<ul style="list-style-type: none"> ▪ Battery not charging 	<ul style="list-style-type: none"> ▪ Battery incorrectly installed or no AC 	<ul style="list-style-type: none"> ▪ Check battery installation and AC adaptor
<ul style="list-style-type: none"> ▪ Poor print quality 	<ul style="list-style-type: none"> ▪ Low battery ▪ Print head is dirty 	<ul style="list-style-type: none"> ▪ Check or recharge the battery ▪ Clean the print head
<ul style="list-style-type: none"> ▪ Paper not feeding 	<ul style="list-style-type: none"> ▪ Obstruction in paper path or improperly installed 	<ul style="list-style-type: none"> ▪ Check the paper path. Verify installation. Use paper with the correct thickness.
<ul style="list-style-type: none"> ▪ Error/MCR indicator lit RED 	<ul style="list-style-type: none"> ▪ Print mechanism jam ▪ Error reading MCR ▪ No Paper 	<ul style="list-style-type: none"> ▪ Clear the paper path. ▪ Magnetic stripe on card must be facing toward the paper supply door. ▪ Load Media
<ul style="list-style-type: none"> ▪ Prints illegible characters 	<ul style="list-style-type: none"> ▪ Improper Baud rate and parity 	<ul style="list-style-type: none"> ▪ Verify the printer and Host setting match. Use test print to verify printer setting. In MS-DOS use “write direct to port”. In Windows, use generic printer driver, print manager, and direct write to port.

<ul style="list-style-type: none"> ▪ Printer will not print 	<ul style="list-style-type: none"> ▪ Low or defective battery ▪ Paper not loaded correctly ▪ Communications not set correctly 	<ul style="list-style-type: none"> ▪ Check or replace the battery ▪ Make sure the paper is loaded correctly, not backwards ▪ Verify communications between the host device and the printer by performing a printer self test
--	--	---

If the problem is not identified following above trouble shooting guide, contact Printek Technical Support at (888) 211-8300 or visit www.printek.com/service.

SPECIFICATIONS

Printer Specifications

Height:	2.25 inches (57mm)
Width:	4.25 inches (108mm)
Length:	6 inches (152mm)
Weight: w/battery & supply	1.41 lbs. (0.64 g)
Shipping weight:	3 lbs. (1.4 kg)
Power:	7.2 V NiMH (1600mAH) battery
Operating Temp. Limits:	41F to 104F (5 to 40C)
Storage Temp. Limits:	-4F to 140F (-20C to 60C)
Operating Humidity Limits:	20% to 85% non-condensing
Storage Humidity Limits:	5% to 95% non-condensing
Print head:	3 inches wide (80mm) 203 dpi (8 dots per mm)
Printing Method:	Thermal Direct
Print Speed:	Up to 2.0 inches per second
Supported Fonts: (Bitmap)	Standard (normal and bold) Large (normal) Reduced (normal and bold) Large rotated.
Supported Bar Codes:	Codabar, Code 39, UCC/EAN – 128, UPC/EAN/JAN, Interleaved 2 of 5, Code 128
Memory:	32K SRAM, 128K Flash
Charging Time:	Approximately 90 minutes
Communications:	RS-232 port, IrDA, Bluetooth (Mt3B)
Print Ratio:	25% black maximum/sq.in.

Media Specifications

Media type:	Thermal direct receipt paper
Thickness:	2.2 to 3.5 mils (receipt paper)
Width:	3.125 inches (80mm)
Length:	1 roll of receipt paper is approx. 560 inches (14,220mm)
Sensing compatible:	Black mark (on face of supply)
Paper roll diameter:	Outside: 1.5 inches (38 mm) Inside: .5 inches (12.7 mm)
Maximum Print Area:	2.85 inches (72 mm) X 8.0 inches (203mm)
Approved Vendors	Kansaki: P300, P310, P350, P354, P390, P530UV, TO281CA, OP200, TO381N, F180, F380, F550 Jujo: TF-50KS-E2C Honshu: FH65BV-3

Printer Supplies/Accessories

Part Number	Description
91253	Mt3 Thermal Receipt paper 5-pack (3"/80 mm, 5 rolls)
91254	Mt3 thermal Receipt paper 35-pack (3"/80 mm, 35 rolls)
91255	Mt3 Thermal Receipt paper 200-pack (3"/80 mm, 200 rolls)
91244	Mt3 Battery (1600mAh)
91245	Mt3 Battery, 5-pack (1600mAH)
91246	Mt3 Battery, 20-pack (1600mAH)

91248	4-Bay trickle charger
91247	AC adaptor 120VAC
91260	In-Vehicle Adaptor 12V
91264	In-Vehicle Adaptor 24V
91249	Environmental Case
91250	Belt Loop System
91261	Shoulder Carrying Strap
91251	Coiled Data Cable – Terminated (DB9)
91252	Coiled Data Cable - Unterminated
Available from Printek Email: info@Printek.com	Windows 95/98/NT/2000/ Drivers
Download: http://www.fieldsoftware.com/PrinterCE.htm	Windows CE / PocketPC print Utility
Download http://www.bachmannsoftware.com	Palm Pilot print Utility

Warranty

This printer is warranted by Printek, Inc. to be free of defects in parts and workmanship for a period of one year from date of shipment. (The customer is responsible for ensuring proper packing to prevent damage in transit.) This warranty does not apply to defects resulting from action of the user such as misuse, improper wiring, operation outside of specification, improper maintenance or repair, or unauthorized modification. Printek specifically disclaims any implied warranties of merchantability or fitness for a specific purpose and will not be liable for any direct, indirect, special, incidental or consequential damages. Printek's total liability is limited to the repair or replacement of the product. The warranty set forth above is inclusive and no other warranty, whether written or oral is expressed or implied.

Warranty Service

A Return Authorization number must be issued before a unit is returned to Printek for repair. Once a unit has been properly returned to Printek, it will be repaired and returned via UPS ground. The customer may elect a faster mode of transport at their cost.