

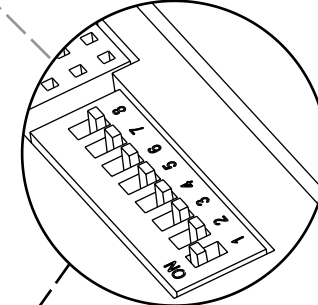
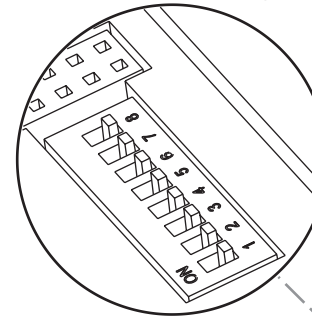
Printek Mt2/Mt2B Quick Setup Instructions

cont.

Switch Settings

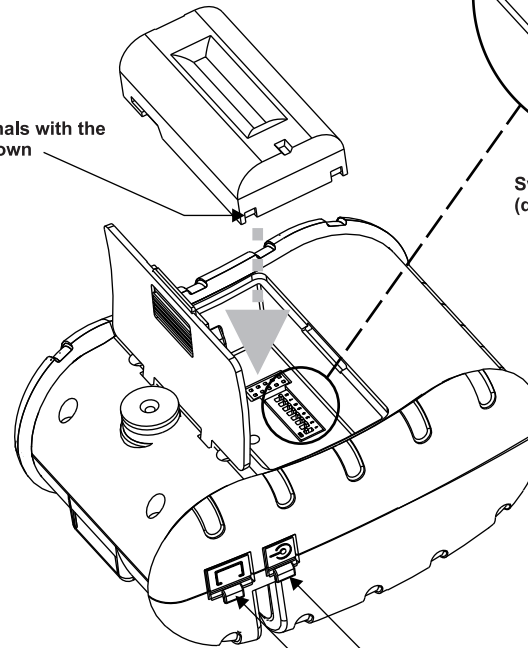
Switch Position(s)		Function
SW1		Communication Interface
Off		RS232/Bluetooth Enabled
On		IrDA Enabled
SW2	SW3	Baud Rate
Off	Off	38,400
Off	On	19,200
On	Off	9,600
On	On	2,400
SW4		Manual Power Control (Mt2B)
Off		Manual Control Disabled
On		Manual Control Enabled
SW5		Reserved
SW6	SW7	Parity bit
Off	Off	No Parity
On	Off	Odd Parity
On	On	Even Parity
SW8		Reserved

ALL switches shown in the OFF position for Bluetooth
(Default setting for the Mt2B from the factory)



Align the battery terminals with the printer terminals as shown

Switch #1 shown in the ON position for IrDA
(default setting for Mt2 from the factory)



POWER ADAPTER INPUT

SERIAL INTERFACE



Ph: (800) 368-4636
 Fax: (269) 925-8539
 Web: www.printek.com
 E-mail: info@printek.com